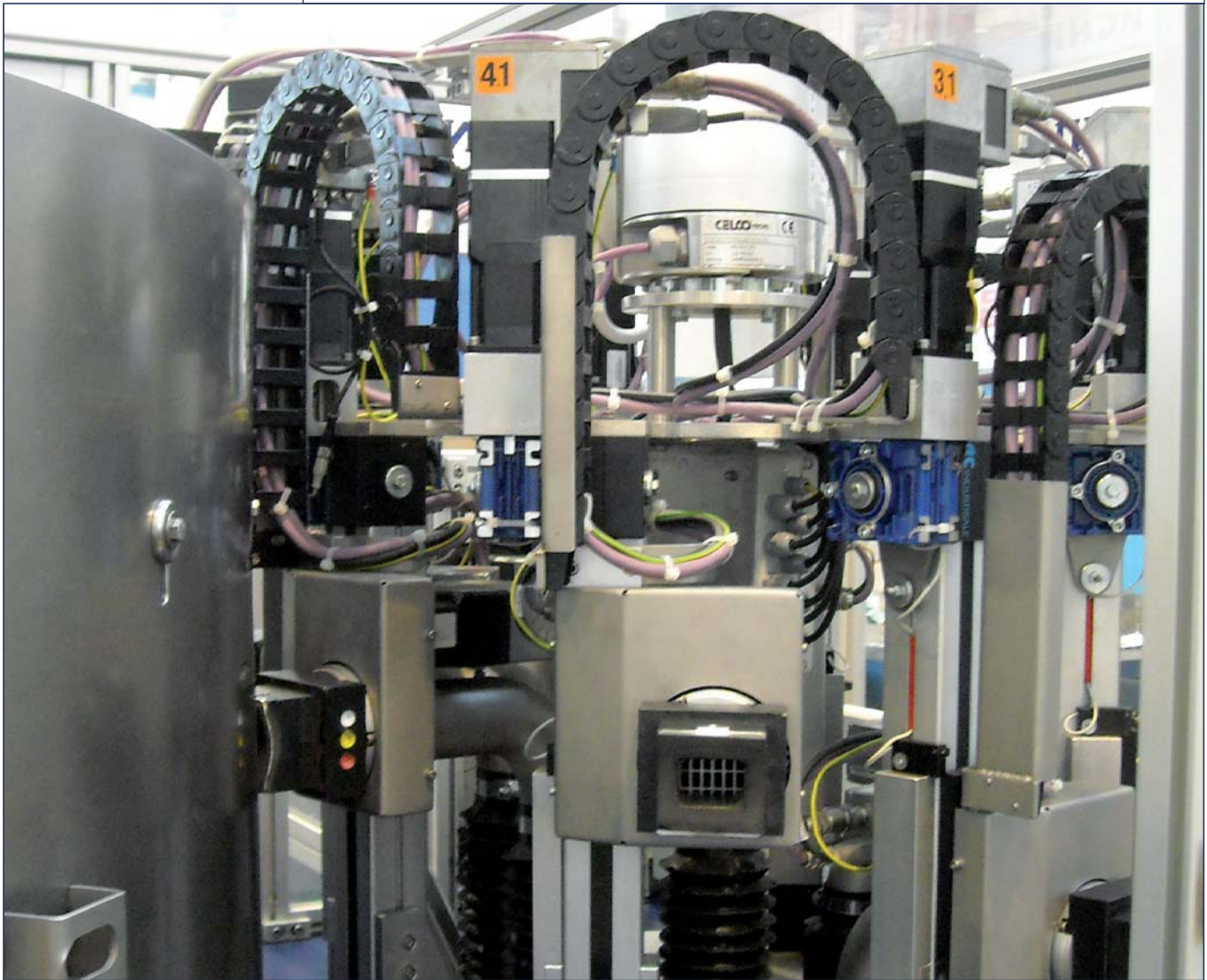




LANFRANCHI *The right side of technology*

rotative bottle unscrambler twister LRBU TW



With its ultra fast changeover and low to medium output range the Lanfranchi Twister unscrambler is the ideal solution for production lines that require frequent changeover and quick restart at top efficiency.

The twister bottle unscrambler adopts the intelligent vacuum starwheel design to straighten up the bottles instead of the funnels concept.

The intelligent vacuum starwheel includes a set of pick up suction heads – the number varies according to the machine model – that turn clockwise or counter-clockwise based on the orientation of bottles collected from the sorting bowl.

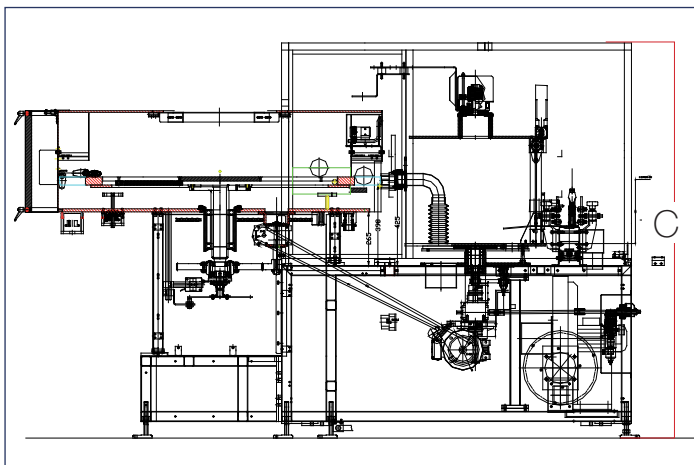
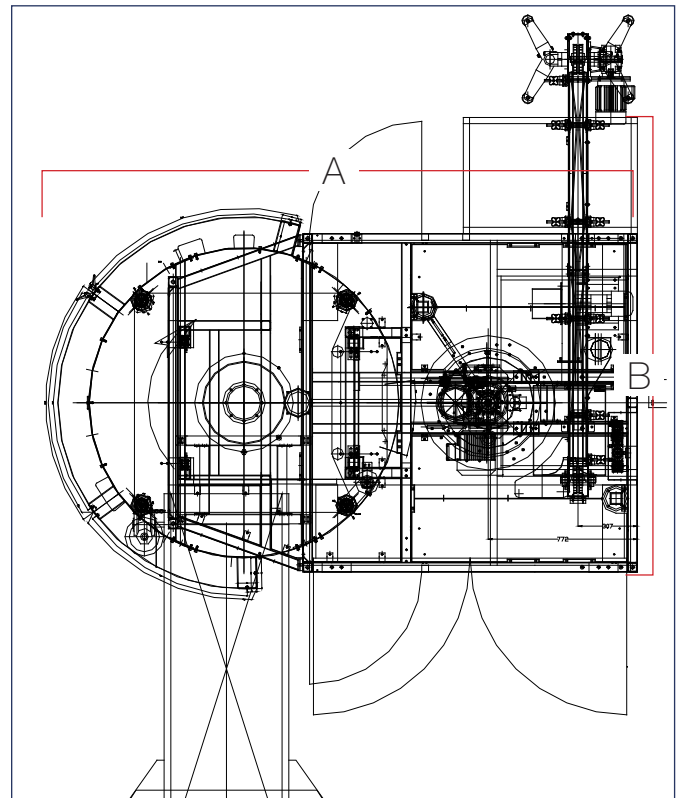
The orientation of the bottle in the sorting bowl is captured from the reading by laser sensors or vision sensors positioned inside the sorting bowl.

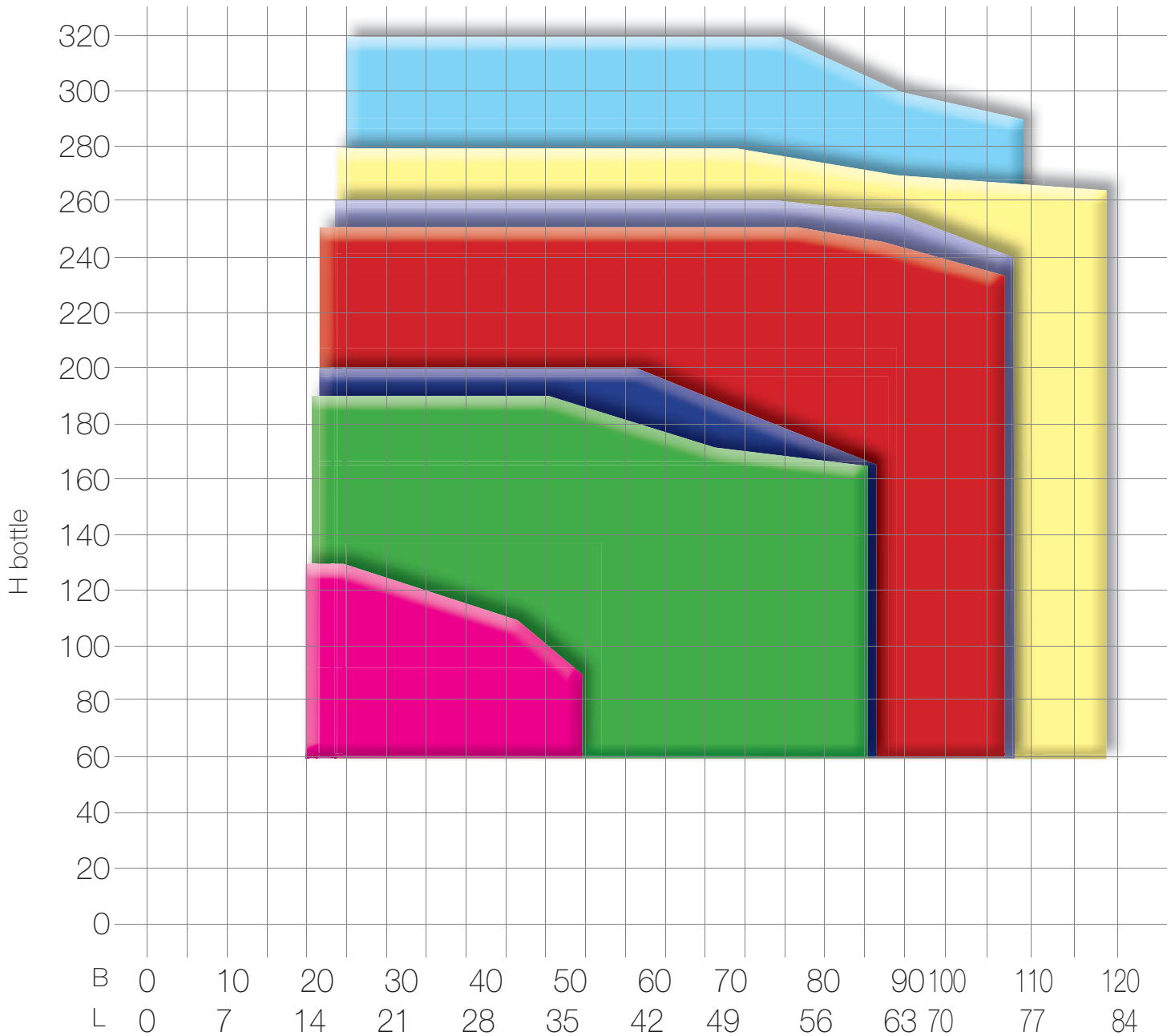
Bottles are oriented right side up and delivered to the discharging chain or air conveyor.



dimensions

model	A (mm)	B (mm)	C (mm)
LRBU 1250	2,425	1,750	1,960
LRBU 1600	2,810	1,750	1,960
LRBU 2000	3,256	2,000	1,985





- Twister 1250/2/7
3,000 b/h
- Twister 1600/6/18
7,500 b/h
- Twister 2000/8/24
13,000 b/h
- Twister 1250/4/10
5,000 b/h
- Twister 1600/8/24
9,000 b/h
- Twister 1600/4/12
6,000 b/h
- Twister 2000/6/18
10,000 b/h

